

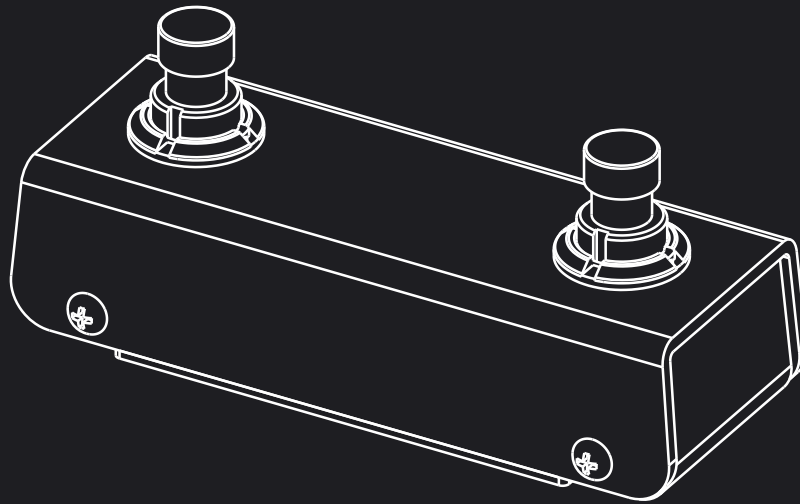


AMPERO SWITCH

Momentary Footswitch

Operating Guide

For Ampero & Ampero One



HOTONE
DESIGN INSPIRATION

The contents of this manual are subject to change without notice.

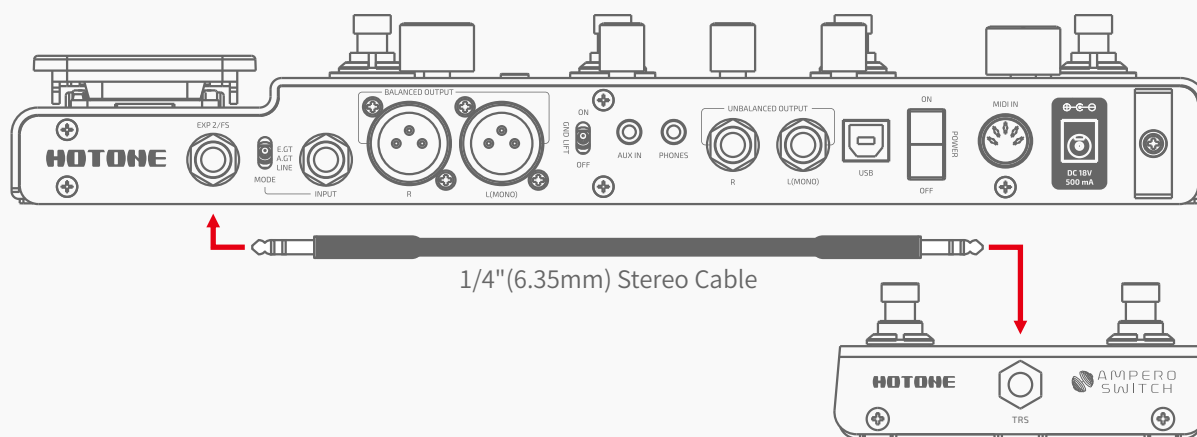
Preface

This operating guide is for how to set the Ampero Switch on Ampero or Ampero One. On both units, Ampero Switch is connected and set in the same way, so the following steps will take Ampero as an example.

If you want to set the Ampero Switch to control other device, please refer to the related contents of your device manual.

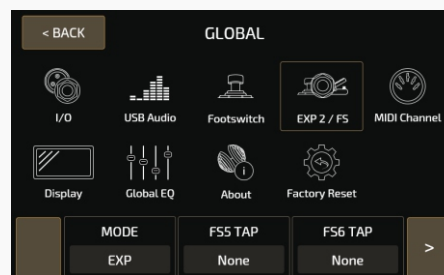
How to connect

Connect one end of the **TRS jack** to Ampero Switch and the other end to the **EXP 2 / FS jack** of Ampero with the provided **TRS cable**.



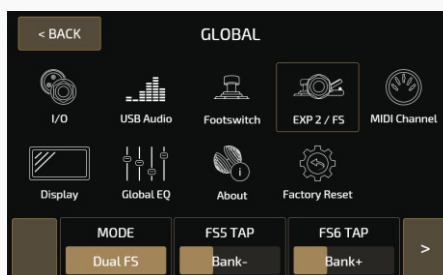
How to set up

1. In the main menu, click **"GLOBAL"** and then **"EXP2/FS"**. Set **"MODE"** to **"Dual FS"** in the selection panel.



How to set up

2. “FS5 TAP” and “FS6 TAP” in the selection panel will become editable (“FS4 TAP”, “FS5 TAP” in Ampero One). The default is set to bank-/+



3. “FS5 TAP” corresponds to Ampero Switch Footswitch A and “FS6 TAP” corresponds to Ampero Switch Footswitch B. They can be set up as follows:

Looper Rec/Play: Record/play loop phrases

Looper Stop: Stops looper playback

Looper: Enter/exit looper menu

Drum On/Off: Drum rhythm play/stop

Drum: Enter/exit drum menu

Tuner: Enter/exit tuner

Bank+/-: Change banks by toggling up or down

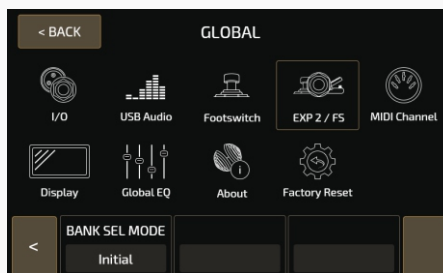
Tap Tempo: Tap tempo function

Patch+/-: Change patches by toggling up or down

EXP On/Off: Switching built-in expression pedal on/off

FX1, FX2, AMP, NR, CAB, EQ, FX3, DLY, RVB On/Off: Turn on/off each effect block

4. “EXP2/FS” selection panel next page has a “BANK SEL MODE” option.



You can select Ampero’s bank select mode when using Ampero Switch as a bank switcher. “Bank Sel Mode” lets you select from two modes: Initial and Wait.

In Initial mode, Ampero will jump to a new patch immediately after switching a bank.

In Wait mode, when switching banks, the patch you’re using won’t be changed (footswitch LEDs on Ampero will keep flashing by default) until you tap a footswitch again to confirm your selection.

Reminder: When using Ampero Switch as a bank switcher in Wait mode, please set Ampero or Ampero One’s three footswitches tap function to “Patch1”, “Patch2”, “Patch3” for the best possible user experience (This is the default setting of Ampero. Ampero One users can set it by themselves).